

# Thermoplastic Housings



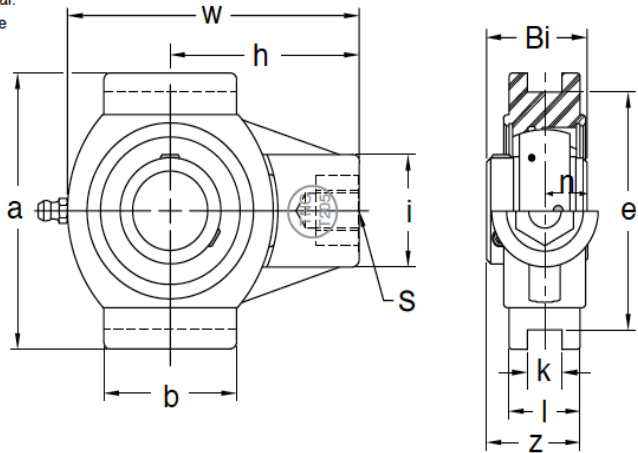
Housing Colour Optional:

White

Material: PBT

Solid Base

Stainless Steel Grease Nipple same as Bolt Holes



## Thermoplastic Housings PLT200 Series Take Up Units

Bearing Unit No.	Shaft Dia.		Dimensions (in. and mm)											Bearing No.	Housing
	d		a	e	h	w	l	k	i	s	b	Bi	n		
	In.	mm													
SS-UC-PL-T201		12	88.5	76	64	99	24.2	12	36	M16	47	31	12.7	SSUC201	PLT204
SS-UC-PL-T201-08	1/2		3-31/64	2-63/64	2-17/32	3-57/64	61/64	15/32	1-13/32	M16	1-27/32	1.2205	0.5000	SSUC201-08	PLT204
SS-UC-PL-T202		15	88.5	76	64	99	24.2	12	36	M16	47	31	12.7	SSUC202	PLT204
SS-UC-PL-T202-10	5/8		3-31/64	2-63/64	2-17/32	3-57/64	61/64	15/32	1-13/32	M16	1-27/32	1.2205	0.5000	SSUC202-10	PLT204
SS-UC-PL-T203		17	88.5	76	64	99	24.2	12	36	M16	47	31	12.7	SSUC203	PLT204
SS-UC-PL-T204		20	88.5	76	64	99	24.2	12	36	M16	47	31	12.7	SSUC204	PLT204
SS-UC-PL-T204-12	3/4		3-31/64	2-63/64	2-17/32	3-57/64	61/64	15/32	1-13/32	M16	1-27/32	1.2205	0.5000	SSUC202-10	PLT204
SS-UC-PL-T205		25	88.5	76	64	99	24.2	12	36	M16	47	34.1	14.3	SSUC205	PLT205
SS-UC-PL-T205-16	1		3-31/64	2-63/64	2-17/32	3-57/64	61/64	15/32	1-13/32	M16	1-27/32	1.3425	0.563	SSUC205-16	PLT205
SS-UC-PL-T206		30	102	89	76	125	29.8	12	40	M16	63	38.1	15.9	SSUC206	PLT206
SS-UC-PL-T206-20	1-1/4		4-1/64	3-1/2	2-63/64	4-59/64	1-11/64	15/32	1-37/64	M16	2-31/64	1.500	0.626	SSUC206-20	PLT206
SS-UC-PL-T207		35	102	89	76	125	29.8	12	40	M16	63	42.9	17.5	SSUC207	PLT207
SS-UC-PL-T207-20	1-1/4		4-1/64	3-1/2	2-63/64	4-59/64	1-11/64	15/32	1-37/64	M16	2-31/64	1.689	0.748	SSUC207-20	PLT207
SS-UC-PL-T207-22	1-3/8		4-1/64	3-1/2	2-63/64	4-59/64	1-11/64	15/32	1-37/64	M16	2-31/64	1.689	0.748	SSUC207-22	PLT207
SS-UC-PL-T207-23	1-7/16		4-1/64	3-1/2	2-63/64	4-59/64	1-11/64	15/32	1-37/64	M16	2-31/64	1.689	0.748	SSUC207-23	PLT207
SS-UC-PL-T208		40	114	102	85	140	32.1	16	40	M16	80	49.2	19	SSUC208	PLT208
SS-UC-PL-T208-24	1-1/2		4-31/64	4-1/64	3-11/32	5-33/64	1-17/64	5/8	1-37/64	M16	3-5/32	1.937	0.748	SSUC208-24	PLT208

Note: Open cap and back seal available

Thermoplastic Housing Specifications - Breaking Point Test (lbf.)					
Mode of Load	204 □	205 □	206 □	207 □	208
	3325	3485	3550	3710	3890
	880	1020	1150	1460	1755
	1910	2325	2450	2540	2735